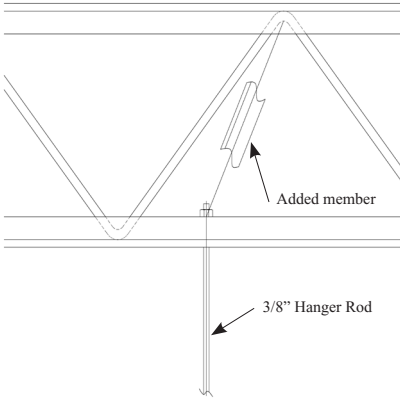


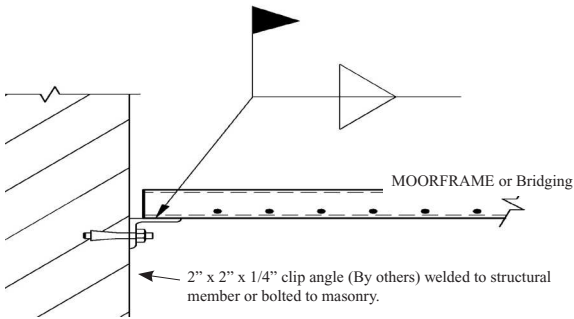
# SUSPENDED OVERHEAD FRAMING SYSTEM ATTACHMENT DETAILS

NOTE: If hanger rod is not at a joist panel point, add web member in field.

NOTE: Cold rolled purlins must be bridged at hanger rods to prevent rotation.



## TERMINATION OF MOORFRAME / BRIDGING AT WALL



## CROSS SECTION SHOWING SUSPENDED FRAMING

